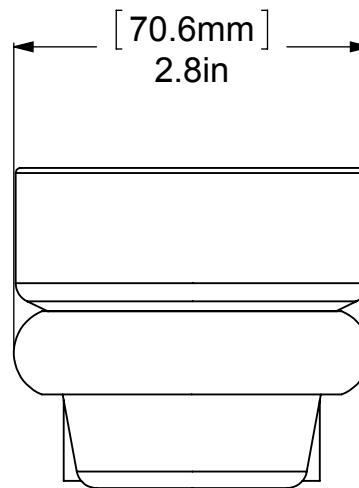
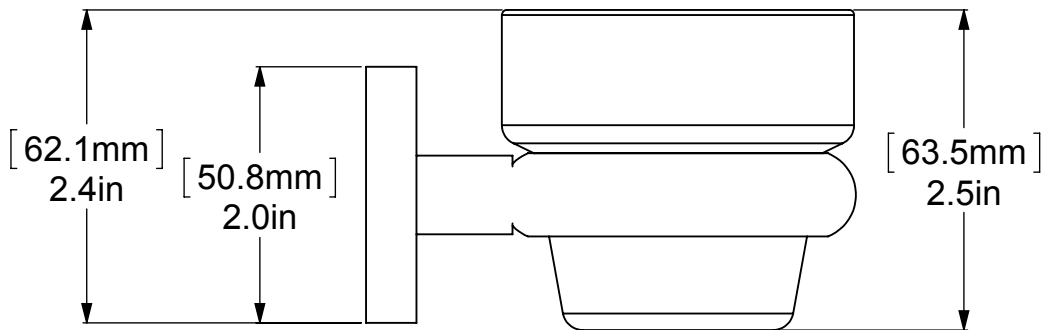
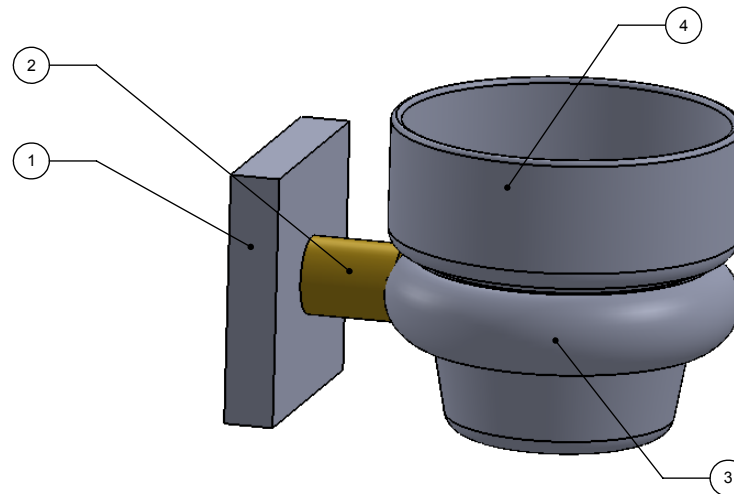


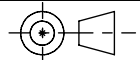
ITEM NO.	P/N	Description	QTY.
1	BPSQ	BACKPLATE	1
2	PSRDS-34	Neck	1
3	HRRD	RING	1
4	GLVC	GLASS_HLD	1



UNLESS OTHERWISE STATED

.X	$\pm .3\text{mm}$
.XX	$\pm .15\text{mm}$
.XXX	$\pm .008\text{mm}$

COPYRIGHT © Allied Brass 2016



THIRD ANGLE PROJECTION

DRAWN	6/8/2016	I.M
CHECKED	6/8/2016	P.D
APPROVED	6/8/2016	R.A

MATERIAL:	BRASS
DESCRIPTION:	CANDLE HOLDER

FINISH	TBD
QUANTITY	TBD
DRAWING No.	REV
MT-64	0
SCALE	1:1.5
SHEET: 01	A4